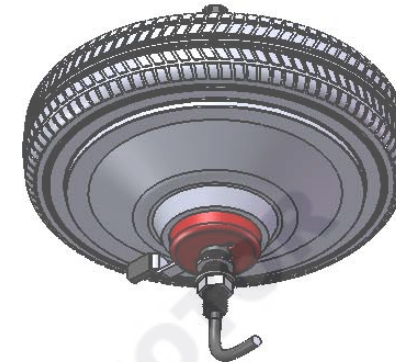
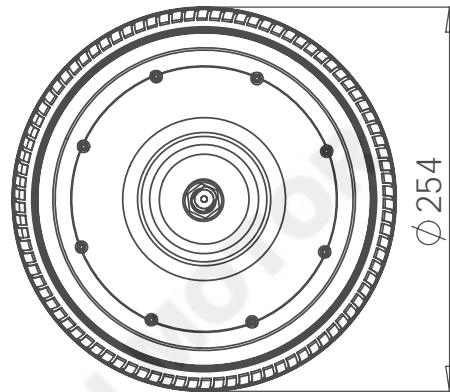
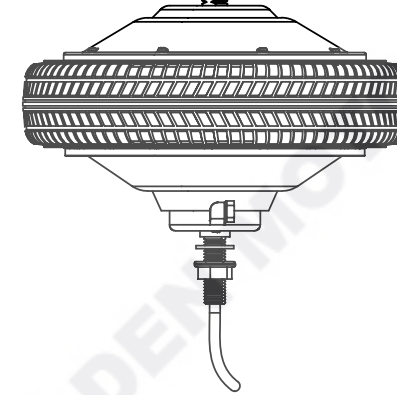


16x2AXLE  
BOTH SIDES 12 FLAT



Voltage:24V  
Power:300W  
Weight:7.7KG

REL#:	BY: TOM	DATE: 12/02/09
USED ON:	Electric Scooter	
SCALE: NONE	GOLDEN MOTOR	DRWN BY: TOM
SHEET: 1 OF 1		CHKD BY: TOM
TITLE:	PW-10S-10" Scooter	
MATRL:	PART NO.:	

GOLDEN MOTOR

GOLDEN MOTOR

GOLDEN MOTOR

GOLDEN MOTOR

